

EY 650

Elevating Table





EV 650 Elevating Table

Universal's EV 650 is a rugged 4 way float top elevating table designed to produce high quality images with effortless patient transfer and positioning. The design of the EV 650 makes it a prime candidate for use in hospitals, clinics, private and group practices.

The EV 650's float top was designed to allow the top to go down to 22.25" (56.5 cm) above the floor for safe and comfortable loading of a full range of patients from pediatrics to geriatrics and mobile to immobilized. The extensive travel eliminates the need for step stools thus providing a safe environment for both patient and operator. The operational table height is adjustable at time of installation for ideal operator comfort and transferring gurney patients onto the table and back again with ease.

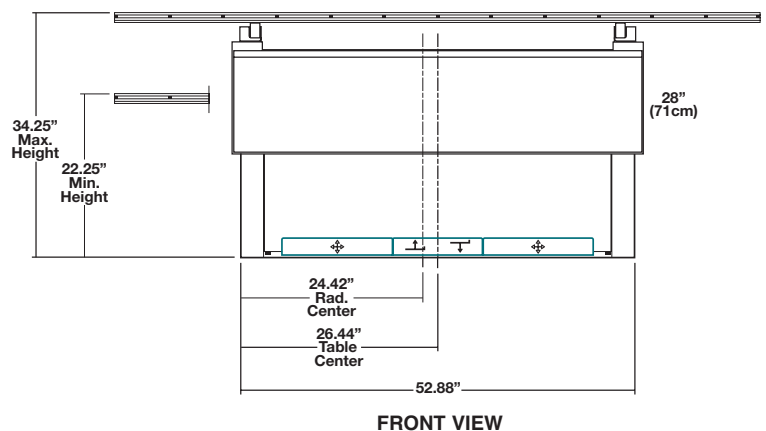
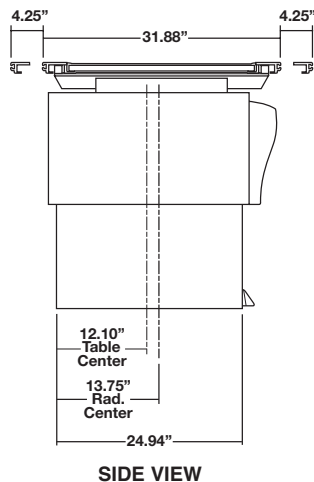
The width of the table base adds to the stability and overall safety issues inherent when dealing with difficult patients. EV 650 incorporates the largest, quietest and most powerful elevating drive operation in the industry to insure reliable operation. Universal...delivering quality products to the imaging profession for more than 75 years.

Standard Features

- n Collision protection eliminates the possibility of a foreign object under the table causing damage to the top
- n 650 lb. (295 kg) patient load delivers peace of mind in handling the most difficult patient
- n Welded steel structure and wide base assures maximum strength, rigidity and reliability
- n Low absorption table top material delivers high contrast, scatter free images and reduced patient exposure
- n Slanted, recessed foot treads offer a safe environment for both patient and operator
- n 17" x 17" (43 cm x 43 cm) bucky supplied with electro magnetic lock for ease of positioning along table base
- n 103 line, 8:1 fine line grid for superior film quality
- n Manual cassette tray accepts 14" x 17" (35 cm x 43 cm) and smaller film sizes, both inch and metric

Options

- n Carbon fiber top
- n 78" long tabletop, replaces 86.5" top
- n Ion chamber to accept AEC capability of generator
- n 10:1 or 12:1 ratio grid
- n Size sensing cassette tray for use with PBL collimation
- n Hand grips
- n Compression device
- n Lateral cassette holder



Technical Specifications

- n Table Top Dimensions: 86.5" (219.7 cm) x 31.9" (81 cm)
- n Longitudinal Movement: 38.5" (97.8 cm)
- n Transverse Movement: 9" (22.9 cm)
- n Height Adjustment: 22.25" (56.5 cm) to 34.25" (87 cm)
- n Bucky Travel: 21" (53.3 cm)

Complies with all CDRH performance standards in effect at the date of manufacture.

As we strive for constant improvement, specifications are subject to change without notice.

Made in U.S.A. – ETL Listed, C.E. Marked

Universal

www.delmedical.com



11550 West King Street n Franklin Park, IL 60131 n Phone 847.288.7000 n Fax 847.288.7911 n Toll Free 800.800.6006