

Alto™ DR 17x17 Fixed GAD Panel

High-Performance Fixed DR Flat Panel Detector with AED Technology



The Alto DR by Vieworks utilizes the newest patented wave of DR technology - AED (Automatic Exposure Detection.) This technology requires no integration to the x-ray generator. Medlink Imaging offers a variety of digital solutions to help physicians, clinicians and healthcare professionals make the transition to digital imaging.

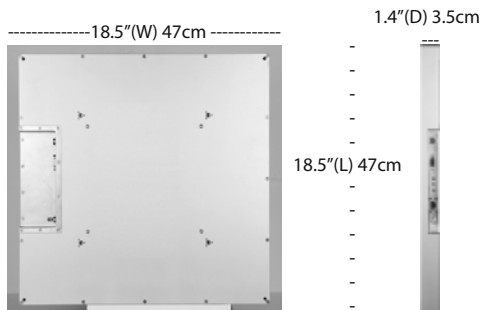
www.medlinkimaging.com



ALTO DR 17x17 Fixed Gadox Panel

Alto™ DR 17x17 Fixed Gadox Panel Technical Specs

Detection Area	17x17 inch (43cmx43cm)
Dimensions	18.5 (W) x 18.5 (L) x 1.4 (D) inches



Weight	24.2 (lbs) 11 (kg)
--------	--------------------

Scintillator Amorphous Silicon
Gadolinium Oxysulfide G2O2S (Gadox)

Pixel Array	3072 x 3072 pixels (9 MP)
Pixel Pitch/Size	140 µm
Resolution	3.5 lp/mm
Grayscale Depth	14 bits / 16,384
Dynamic Range >	15,000 LSB
Energy Range	40-150 kV
High Resolution Image Display Preview	3 Seconds

Data output 1G Ethernet.

A single connection Systems Control Unit (SCU) /
Power Supply Unit: 24VDC, .08A from Dedicated Power
Supply, 15m (45ft) Power Cord and Cat. 6 Communication
LAN Cable.

Note: System Does Not include the Cat. 5 Cable
between the Acquisition Station to the Network Connection

Alto™ DR Acquisition Workstation

1TB Local Mini-PACS in a RAID 1 (2 Total Drives)
4GB, Non-ECC, 1333 MHz DDR3
Intel i3 Dual Core Processor 2120 (3.3GHz)
16x DVD +/- RW SATA Optical Drive
Integrated Intel Graphics 2000
Monitor: 2MP, 22" LCD, Resolution:1920x1080 Ratio:1000:1
Licensed datalink Bridge 2x1TB (1TB RAID 1)

Alto™ Acquisition and Viewing Software

Five (5) LAN - Local Area Network Viewers
DICOM Send - Multi Destination, DICOM Print
DICOM Store - Auto Routing and Scheduled Backup
CD/DVD Burning with Mini-Viewer
DICOM MWL Modality Worklist
Measurement Tools,
Stitching - Auto and Manual Selection
Archive, Image Preview, Magnify, Zoom, Pan, Annotation,
Window Level, Rotate, Repeat / Reject, Magnify, Zoom, Pan
L/R Marker, Un-sharp Mask
Image Export - DICOM, JPEG, TIF and BMP w/wo Viewer

Datalink - Disaster Recovery

Alto DR Systems are provided with a One (1) Year 75GB
Disaster Recovery Data Archive Service Plan with an
Automatic Backup to a Fully Monitored and Managed
HIPPA Compliant Archival and Disaster Recovery Service.
Customer's may increase the data plan and/or extend
this service after Year One (1) for a fee. Note: Activation
of Datalink is automatically activated on all systems
prior to shipment.

Alto™ DR Warranty / Support Coverage

Manufacturer's Standard Warranty Coverage: Four (4) Years
for DR Hardware and Software Warranty. Drop Protection is
NOT included. Remote Technical Support, One (1) Year
Warranty. Internet Access is required.
Ask for warranty coverage details.

Workstation PC Warranty and Support Coverage

Computer Acquisition Station and Monitor includes a Four
(4) Year Warranty Plan with Next Business Day On-site Support
from Lenovo. Help Desk Hours Monday-Friday 9:00AM -
8:00PM Eastern Time, excluding Holidays.

